

Methane-Sensor ZMF-201e-IR

Sturdy methane sensor with a wide operating temperature range and extensive certifications for rough applications

- ☑ Precise methane measurement of the ambient air
- ☑ Excellent long-term stability
- ☑ Robust and high-quality stainless steel housing
- ☑ Maintenance-free due to NDIR technology
- ☑ 4...20mA signal output
- ☑ Extended operating temperature range
- ☑ Attractive price-performance ratio



Technical data

Characteristics

Measuring principle	optical, NDIR* ¹
Gas supply	by diffusion
Signal output	4...20 mA
Power supply	12...24 V DC
Housing	stainless steel
Cable length	1,5 m others on request. Please specify when ordering

Operating conditions

Operating temperature	-40 °C...+60 °C
Storage temperature	-40 °C...+85 °C
air pressure	800 ... 1200 mbar
Relative humidity	0...95 %, non-condensing

Characteristics of the sensor

Heating time	approx 1 min
Reaction time	approx 30 s
Accuracy	±1 % of FS range for readings below 25 % of range ±2 % of FS range for readings below 50 % of range ±5 % of FS range above 50 % of range

*¹NDIR: Non-dispersive infrared absorption measurement

We reserve the right to make technical changes

Vertrieb und Beratung:
Fluid.iO Sensor + Control

Tel.: +49-6251-8462-0
Hollandsmühle 1

E-Mail: info@fluidio.de
98544 Zella-Mehlis

Measuring ranges

- ☑ 0...4,4 % vol (100% UEG)
- ☑ 0...5 % vol
- ☑ 0...100 % vol

Applications

- ☑ Machine and plant monitoring
- ☑ Refrigeration technology
- ☑ Personal protection
- ☑ sewage treatment plants
- ☑ Biogas plants
- ☑ Leakage detection

Certifications

The device complies with the following standards:

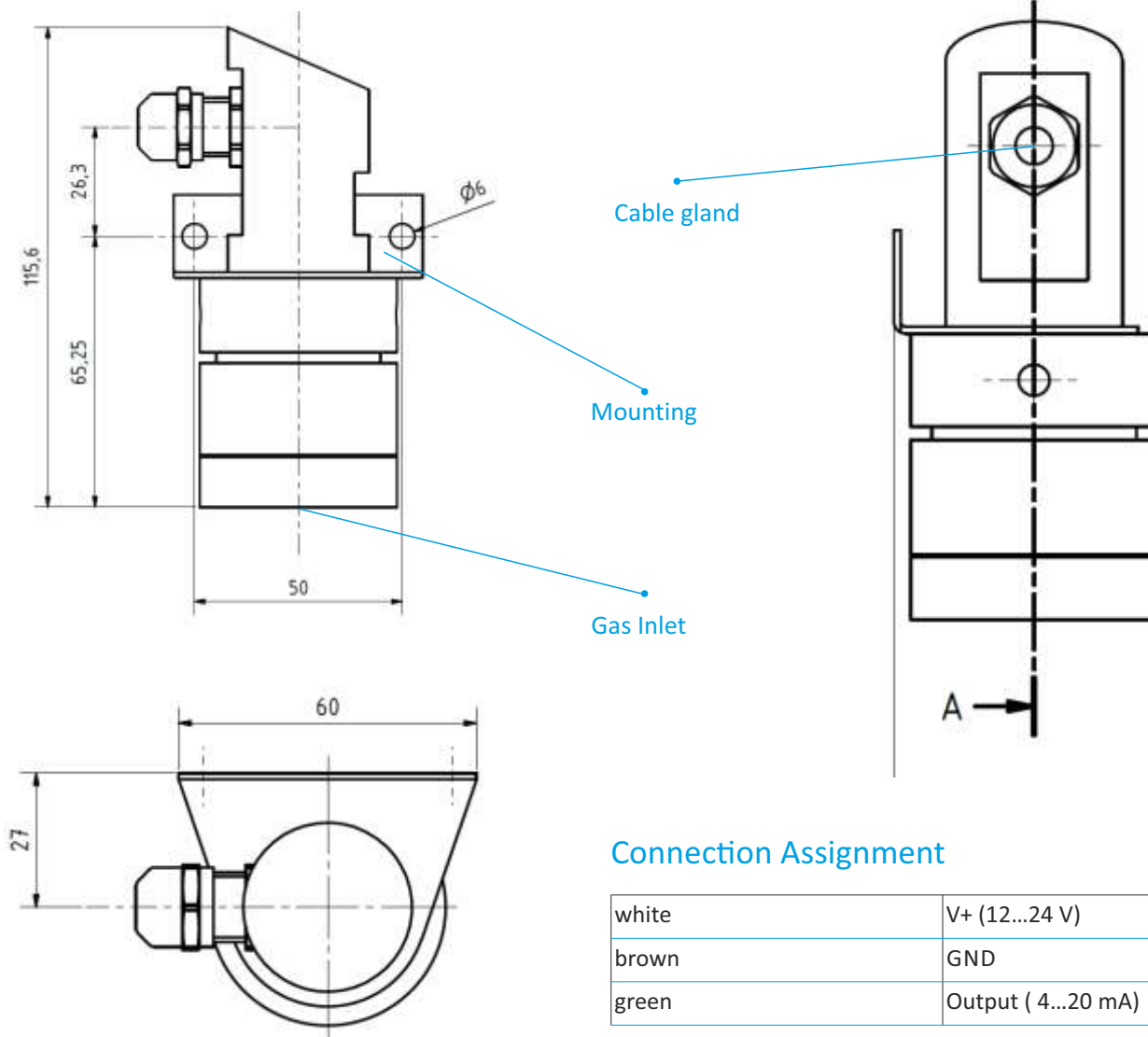
- ☑ EN 50402:2017
- ☑ EN 61508:2010 part 1 to 7
- ☑ EN 50270 (EMV)

The device has the following certifications:

- ☑ SIL2 certified (standard)
- ☑ ATEX certification only on request

Methane-Sensor ZMF-201e-IR

Housing and dimensions



Connection Assignment

white	V+ (12...24 V)
brown	GND
green	Output (4...20 mA)

Order

Scope of delivery

ZMF-201e-IR
Mounting and operating instructions

Order options

Desired measuring range as mentioned
ATEX certification
Preferred cable length

We reserve the right to make technical changes

Vertrieb und Beratung:
Fluid.iO Sensor + Control

Tel.: +49-6251-8462-0
Hollandsmühle 1

E-Mail: info@fluidio.de
98544 Zella-Mehlis